

1

2

3

4

REVISION	DATE	ERN/ECN	CHANGES DESCRIPTION / DESCRIPTION DES CHANGEMENTS
00	2023/JUN/22	-	FIRST RELEASE / PREMIÈRE RELÂCHE

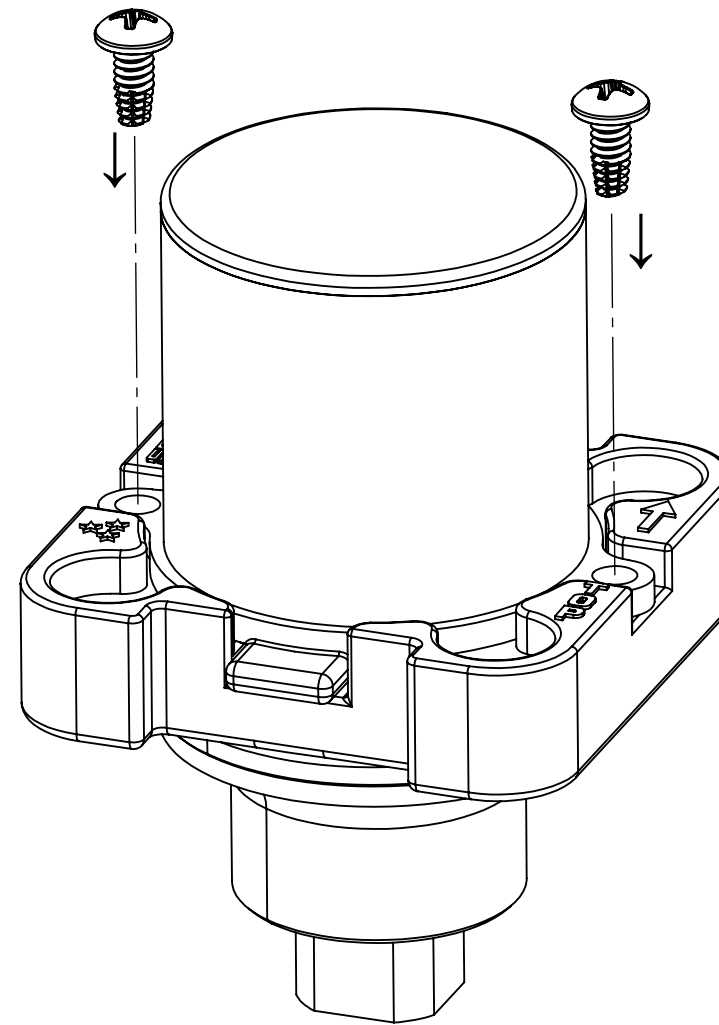
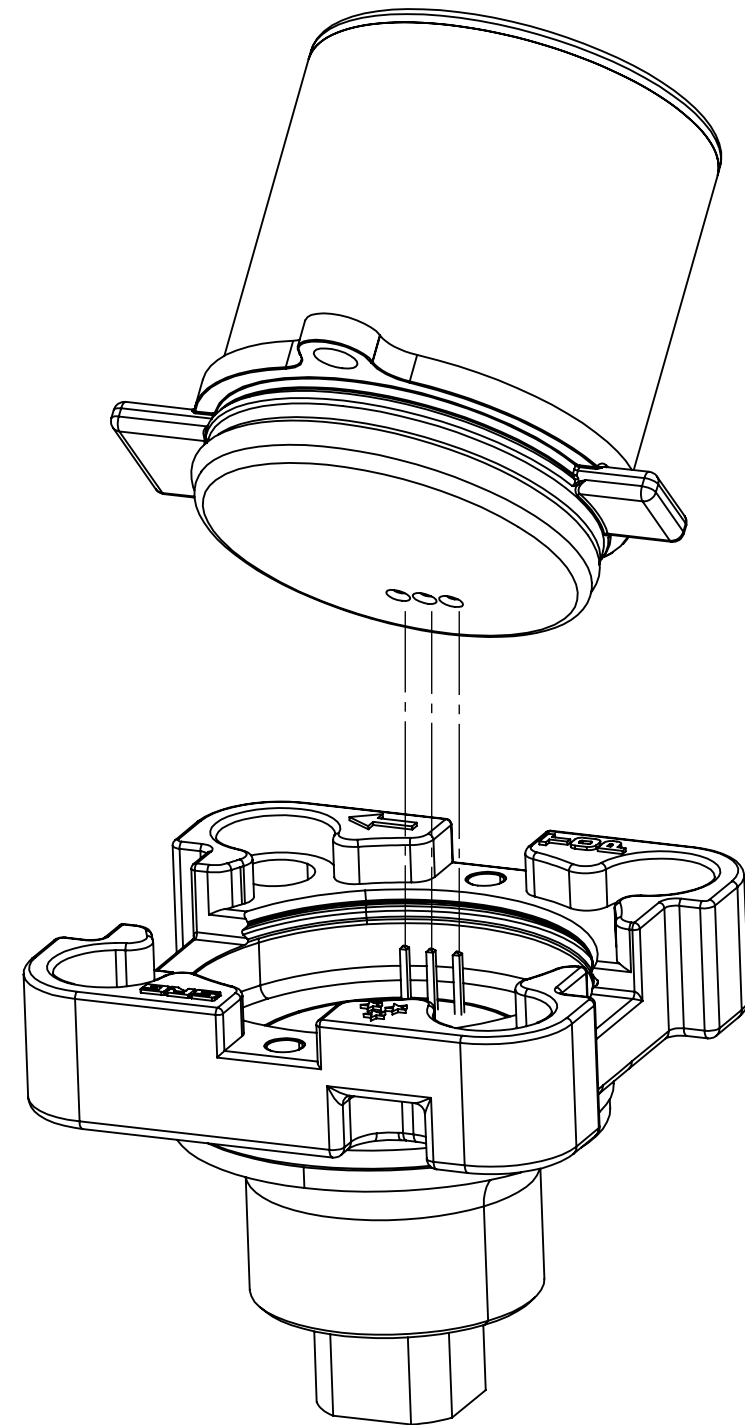
RC1010 Markings

Class I, Division 1, Groups ABCD, $-40^{\circ}\text{C} \leq T_a \leq +60^{\circ}\text{C}$
 Ex ia IIC T4 Ga;
 Class I, Zone 0, AEx ia IIC T4 Ga

ATEX: II 1 G Ex ia IIC T4 Ga
 IECEx: Ex ia IIC T4 Ga

B

B



RC1010 Intrinsically Safe Device		I.S. Apparatus
$U_o = 3.9\text{V}$	\leq	U_i
$I_o = 218\text{mA}$	\leq	I_i
$P_o = 181\text{mW}$	\leq	P_i
$C_o = 38.98\mu\text{F}$	\geq	C_i
$L_o = 188.98\mu\text{H}$	\geq	L_i

"RC1010 to be connected to certified apparatus complying with the entity parameters."

A

A

1

2

3

4

 <small>© Copyright 2023, Otodata Inc.</small>	TITRE / TITLE:	RC1010 INSTALLATION DRAWING			PROJET / PROJECT:	P0330
	DESCRIPTION:	RC1010 Installation on Rotarex probes Type 462 and 487			RÉVISION / REVISION:	00
TAILLE / SIZE: B		DOC #:	P0330-99D04X		STATUT / STATUS:	RELEASED
ÉCHELLE / SCALE: 1.5:1		ITEM #:	GRA-0078-M01			
UNITÉ / UNIT: mm	DESIGNER:	FCA	VERIFIÉ / CHECKED:	PME	DATE:	2023/JUN/22
TOLÉRANCE / TOLERANCE:	ERN/ECN:	-		FICHER / FILE:	P0330-99D04X-00.PDF	
UNLESS OTHERWISE SPECIFIED: ANGULAR: $\pm 1/2^{\circ}$ LINEAR 0.X: $\pm 0.2\text{mm}$ LINEAR 0.XX: $\pm 0.05\text{mm}$	<small>Ce document, propriété exclusive d'Otodata, est strictement confidentiel. Il ne peut être communiqué, copié ou reproduit sans l'autorisation écrite d'Otodata. This document, is the exclusive property of Otodata, it is strictly confidential. It cannot be transferred, copied or reproduced without Otodata's written authorization.</small>			PAGE / SHEET:	1 OF 1	